

DURBAL® Classic Line

Hochleistungs-Gelenkköpfe mit integrierter Gleitlagerung, Maßreihe K, Außengewinde, Abmessungen in Zoll

heavy-duty rod ends with integral spherical-plain bearing, male thread, dimensions in inches

➤ Sonderanfertigungen auf Anfrage
➤ Custom made products on request

Gehäuse:

Geschmiedeter Einsatzstahl, vergütet, Gewinde gerollt, Oberfläche galvanisch verzinkt, Cr VI-frei

Lagerschale DURBAL-Glide:

Polyamid-PTFE-Glasfaser-Compound

Gelenkkugel:

Wälzlagerstahl, gehärtet, geschliffen, poliert, Lauffläche hartverchromt

Wartung:

wartungsfrei

Toleranzen:

Seite 042 - 049

housing:

forged steel, tempered, rolled thread, surface galvanized, free of Cr VI

race DURBAL-Glide:

Polyamid-PTFE-fibreglass-Compound

joint ball:

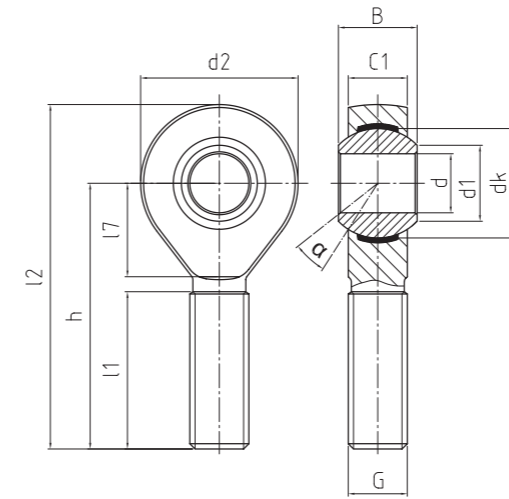
ball bearing steel, hardened, ground, polished and hard chromium plated

maintenance:

maintenance-free

tolerances:

page 042 - 049



| Bestellnummer order number | | | Abmessungen (Zoll) / [1 Zoll/inch = 25,4 mm] measurements (inches) | | | | | | | | | | Kippwinkel tilt angle | | Gewicht weight | | Tragzahlen basic load rating | | Radiale Lagerluft radial clearance | |
|-------------------------------|------------------------------------|----------------------------------|---|--------------|-------|------|-------|-------|-------|-------|-------|-------|--------------------------|-------|-------------------|------------|---------------------------------|---------|---------------------------------------|--|
| Typ type | Rechtsgewinde right hand thread | Linksgewinde left hand thread | d | G | B | C1 | h | d1 | d2 | dk | l1 | l2 | l7 | α [°] | (kg) | dyn C (kN) | stat Co (kN) | CN (µm) | d | |
| BEM 1/4 - 20 | -501 | -502 | .250 | 1/4 - 28 UNF | .374 | .283 | 1.594 | .374 | .750 | .516 | 1.000 | 1.969 | .511 | 17,5 | 0,022 | 3,6 | 13,5 | 0 - 10 | .250 | |
| BEM 3/8 - 20 | -501 | -502 | .375 | 3/8 - 24 UNF | .499 | .405 | 1.948 | .537 | 1.000 | .719 | 1.240 | 2.448 | .629 | 9,5 | 0,049 | 7,7 | 21 | 0 - 10 | .375 | |
| BEM 1/2 - 20 | -501 | -502 | .500 | 1/2 - 20 UNF | .624 | .472 | 2.460 | .632 | 1.311 | .876 | 1.500 | 3.116 | .846 | 13 | 0,109 | 14,7 | 40,3 | 0 - 10 | .500 | |
| BEM 5/8 - 20 | -501 | -502 | .625 | 5/8 - 18 UNF | .827 | .590 | 2.618 | .782 | 1.654 | 1.125 | 1.574 | 3.445 | .944 | 15,5 | 0,202 | 22,4 | 56 | 0 - 10 | .625 | |
| BEM 3/4 - 20 | -501 | -502 | .750 | 3/4 - 16 UNF | .874 | .688 | 2.893 | .913 | 1.750 | 1.249 | 1.750 | 4.643 | 1.023 | 11 | 0,249 | 24,9 | 62,2 | 0 - 10 | .750 | |
| BEM 1/1 - 20 | -501 | -502 | 1.000 | 1/1 - 12 UNF | 1.220 | .866 | 3.720 | 1.185 | 2.362 | 1.688 | 2.244 | 4.901 | 1.200 | 15,5 | 0,562 | 45,4 | 113,38 | 0 - 10 | 1.000 | |
| BEM 1/1 - 21 | -501 | -502 | 1.000 | 1/1 - 14 UNS | 1.220 | .866 | 3.720 | 1.185 | 2.362 | 1.688 | 2.244 | 4.901 | 1.200 | 15,5 | 0,562 | 45,4 | 113,38 | 0 - 10 | 1.000 | |