

DURBAL® Classic Line

Hochleistungs-Gelenkköpfe in rostfreier Edelstahlausführung, mit integrierter Gleitlagerung, Maßreihe E / EH, Innengewinde, Anschlussmaße nach DIN ISO 12240-4 und DIN ISO 8139

heavy-duty rod ends in stainless steel, with integral spherical-plain bearing, series E / EH, female thread, according to DIN ISO 12240-4 and thread according to DIN ISO 8139

↗ Sonderanfertigungen auf Anfrage
↗ Custom made products on request

Gehäuse:

Geschmiedeter, rostfreier Edelstahl, Oberfläche glänzend gebeizt

Lagerschale DURBAL-Glide:

Polyamid-PTFE-Glasfaser-Compound

Gelenkkugel:

rostfreier Edelstahl, gehärtet, geschliffen, poliert

Wartung:

wartungsfrei

Toleranzen:

Seite 042 - 049

housing:

stainless steel, forged, surface with pickling treatment

race DURBAL-Glide:

Polyamid-PTFE-fibreglass-Compound

joint ball:

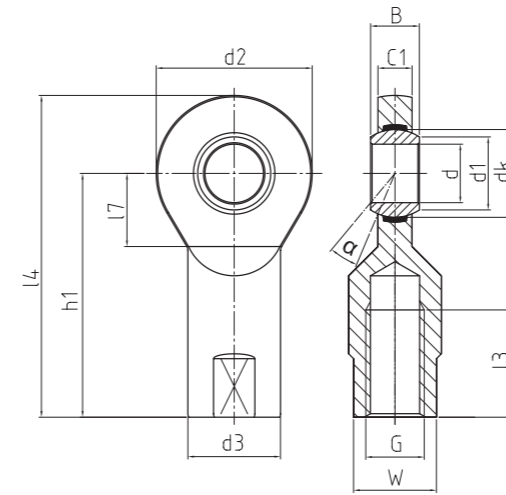
stainless steel, hardened, ground, polished

maintenance:

maintenance-free

tolerances:

page 042 - 049



| Bestellnummer order number | | | Abmessungen measurements (mm) | | | | | | | | | | Kippwinkel tilt angle | Gewicht weight | Tragzahlen basic load rating | | Radiale Lagerluft radial clearance | | | | |
|-------------------------------|------------------------------------|----------------------------------|----------------------------------|-------------|----|----|-----|----|-----|----|------|-----|--------------------------|-------------------|---------------------------------|-------|---------------------------------------|------------|--------------|---------|----|
| Typ type | Rechtsgewinde right hand thread | Linksgewinde left hand thread | d | G | B | C1 | h1 | d1 | d2 | d3 | dk | l3 | l4 | l7 | W | α (°) | (kg) | dyn C (kN) | stat Co (kN) | CN (µm) | d |
| EF 06 - 60 | -501* | -502* | 6 | M 6 | 6 | 4 | 30 | 8 | 20 | 10 | 10 | 12 | 40 | 11 | 9 | 13 | 0,017 | 2,5 | 4,8 | 0 - 10 | 6 |
| EF 08 - 60 | -501 | -502 | 8 | M 8 | 8 | 5 | 36 | 10 | 23 | 13 | 13 | 16 | 47,5 | 12 | 11 | 15 | 0,031 | 4,2 | 5,9 | 0 - 10 | 8 |
| EF 10 - 60 | -501 | -502 | 10 | M 10 | 9 | 6 | 43 | 13 | 28 | 16 | 16 | 20 | 57 | 13 | 14 | 12 | 0,054 | 6,4 | 8,5 | 0 - 10 | 10 |
| EF 10 - 61 | -501 | -502 | 10 | M 10 x 1,25 | 9 | 6 | 43 | 13 | 28 | 16 | 16 | 20 | 57 | 13 | 14 | 12 | 0,054 | 6,4 | 8,5 | 0 - 10 | 10 |
| EF 12 - 60 | -501 | -502 | 12 | M 12 | 10 | 7 | 50 | 15 | 32 | 19 | 18 | 22 | 66 | 15 | 17 | 10,5 | 0,086 | 9,2 | 12,6 | 0 - 10 | 12 |
| EF 12 - 61 | -501 | -502 | 12 | M 12 x 1,25 | 10 | 7 | 50 | 15 | 32 | 19 | 18 | 22 | 66 | 15 | 17 | 10,5 | 0,086 | 9,2 | 12,6 | 0 - 10 | 12 |
| EF 15 - 60 | -501* | -502* | 15 | M 14 | 12 | 9 | 61 | 18 | 38 | 22 | 22 | 25 | 80 | 18 | 19 | 8,5 | 0,142 | 13,4 | 18,5 | 0 - 10 | 15 |
| EF 17 - 60 | -501* | -502* | 17 | M 16 | 14 | 10 | 67 | 20 | 44 | 25 | 25 | 28 | 89 | 20 | 22 | 10 | 0,208 | 19,2 | 26 | 0 - 10 | 17 |
| EF 20 - 60 | -501* | -502* | 20 | M 20 x 1,5 | 16 | 12 | 77 | 24 | 51 | 28 | 29 | 33 | 102,5 | 23 | 24 | 9 | 0,29 | 25,2 | 34,5 | 0 - 10 | 20 |
| EF 25 - 60 | -501* | -502* | 25 | M 24 x 2 | 20 | 16 | 94 | 29 | 62 | 35 | 35,5 | 42 | 125 | 30 | 30 | 7,5 | 0,573 | 42,4 | 54 | 0 - 10 | 25 |
| EF 30 - 60 | -501* | -502* | 30 | M 30 x 2 | 22 | 18 | 110 | 34 | 70 | 42 | 40,7 | 51 | 145 | 32 | 36 | 6 | 0,908 | 54 | 63,8 | 0 - 10 | 30 |
| EF 35 - 60 | -501* | -502* | 35 | M 36 x 3 | 25 | 20 | 125 | 39 | 82 | 51 | 47 | 61 | 166 | 38 | 41 | 6,5 | 1,23 | 70,4 | 81,4 | 0 - 10 | 35 |
| EF 35 - 61 | -501* | -502* | 35 | M 36 x 2 | 25 | 20 | 130 | 39 | 82 | 51 | 47 | 66 | 171 | 38 | 41 | 6,5 | 1,23 | 70,4 | 81,4 | 0 - 10 | 35 |
| EF 40 - 60 | -501* | -502* | 40 | M 42 x 3 | 28 | 22 | 145 | 45 | 92 | 60 | 53 | 71 | 191 | 42 | 50 | 7 | 2,075 | 86 | 100,2 | 0 - 10 | 40 |
| EF 40 - 61 | -501* | -502* | 40 | M 39 x 3 | 28 | 22 | 142 | 45 | 92 | 52 | 53 | 66 | 188 | 42 | 46 | 7 | 1,88 | 86 | 100,2 | 0 - 10 | 40 |
| EF 45 - 60 | -501* | -502* | 45 | M 45 x 3 | 32 | 25 | 165 | 50 | 102 | 67 | 60 | 76 | 216 | 50 | 55 | 7,5 | 3,085 | 107 | 124,3 | 0 - 10 | 45 |
| EF 45 - 61 | -501* | -502* | 45 | M 42 x 3 | 32 | 25 | 145 | 50 | 102 | 58 | 60 | 66 | 196 | 50 | 50 | 7,5 | 2,5 | 107 | 124,3 | 0 - 10 | 45 |
| EF 50 - 60 | -501* | -502* | 50 | M 52 x 3 | 35 | 28 | 195 | 55 | 112 | 72 | 66 | 89 | 251 | 60 | 60 | 6,5 | 3,975 | 132 | 152,6 | 0 - 10 | 50 |
| EF 50 - 61 | -501* | -502* | 50 | M 45 x 3 | 35 | 28 | 160 | 55 | 112 | 62 | 66 | 69 | 216 | 60 | 55 | 6,5 | 3,2 | 132 | 152,6 | 0 - 10 | 50 |
| EF 60 - 60 | -501* | -502* | 60 | M 60 x 4 | 44 | 36 | 225 | 66 | 135 | 84 | 80 | 103 | 292,5 | 70 | 70 | 6,5 | 7,3 | 208 | 239,5 | 0 - 10 | 60 |
| EF 60 - 61 | -501* | -502* | 60 | M 52 x 3 | 44 | 36 | 175 | 66 | 135 | 71 | 80 | 71 | 242,5 | 70 | 60 | 6,5 | 5,9 | 208 | 239,5 | 0 - 10 | 60 |

* Auf Anfrage / on request